

JMS ARCHITECTURE & ENGINEERING
+971 55 6038 032

GENERAL NOTES

APPROVAL

PROJECT NAME:

-

DRAWING TITLE:

DATE:

-

MAIN CONTRACTOR

-

ALUMINIUM CONTRACTOR



JMS
 ARCHITECTURE
 & ENGINEERING
 055 6038 032
 www.jmsae.com

PROJECT NO:

-

SCALE:

-

SHEET SIZE:

A3

DRAWING NO:

S001

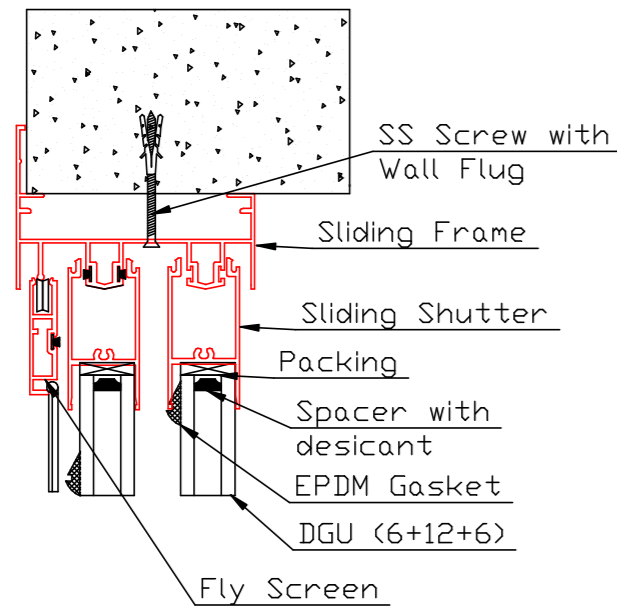
SHEET NO:

100

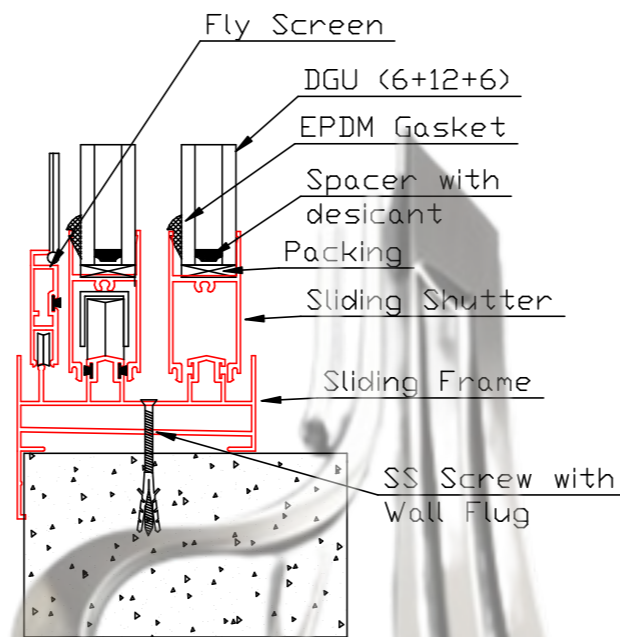
REVISION:

UNIT:

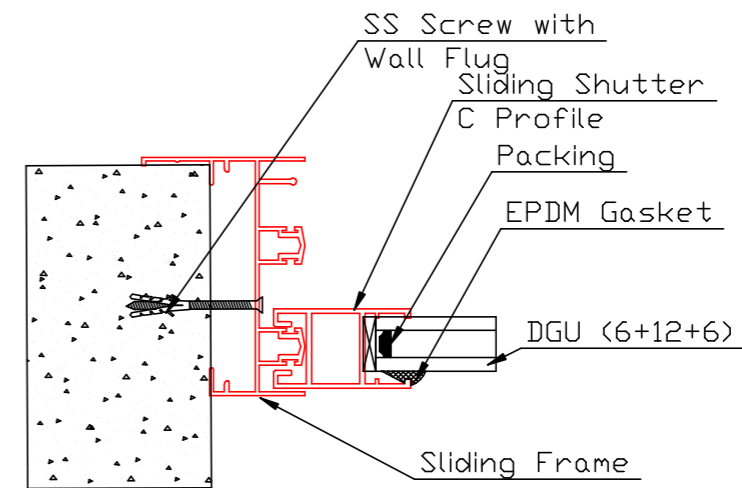
| REV: | DESCRIPTION: | BY: | DATE: |
|------|--------------|-----|-------|
| | | | |
| | | | |
| | | | |



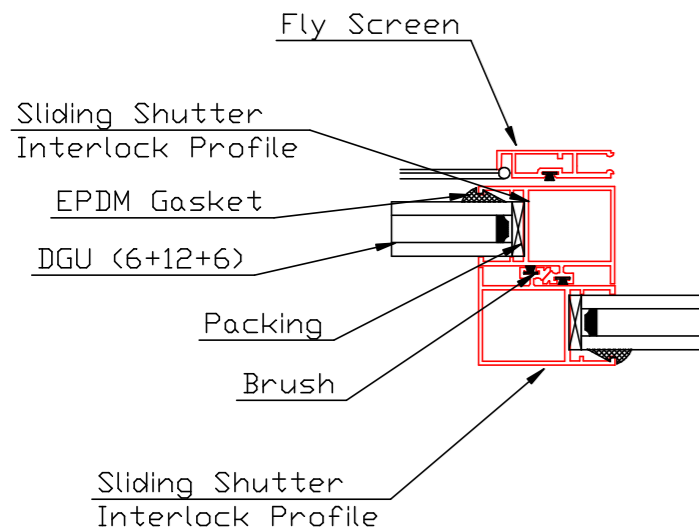
01 DETAIL
101



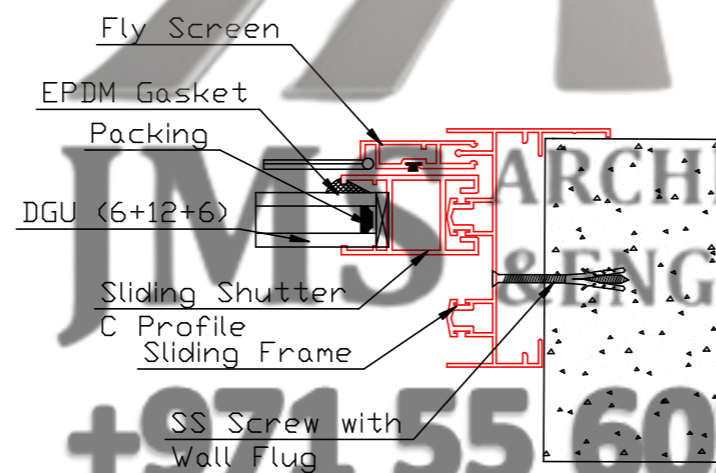
02 DETAIL
101



03 DETAIL
101



04 DETAIL
101



05 DETAIL
101

GENERAL NOTES

APPROVAL

PROJECT NAME:

DRAWING TITLE:

DATE:

MAIN CONTRACTOR

ALUMINIUM CONTRACTOR



JMS
ARCHITECTURE
& ENGINEERING
055 6038 032
www.jmsae.com

PROJECT NO:

SCALE:

SHEET SIZE:

-

A3

DRAWING NO:

SHEET NO:

S001

101

REVISION:

www.jmsae.com

UNIT:

| REV. | DESCRIPTION | BY: | DATE: |
|------|-------------|-----|-------|
| | | | |
| | | | |
| | | | |